

# The Vintage Line

*Take the original*



CMV 563 / M 7 S

## Vacuum tube condenser microphone

- Original M 7 S gold plated PVC capsule
- Modular capsule system
- Cardioid polar pattern
- Backwards compatible to vintage M 7, M 8, M 9, M 55 K

The new CMV 563 M 7 S is the original reissue of the vintage Gefell CMV 563. It has the typical warm, full-bodied sound of valve microphones that are preferred by vocalists and soloists.

The vacuum tube preamplifier is equipped with the EF 86 pentode working as a triode selected for its sonic characteristics.

The new N 61 power supply provides the operating voltage for the vacuum tube. It can be powered from AC mains with a primary voltage of 115 or 230 volts / 50 or 60 Hz.

The N 61 is equipped with an on/off switch, a 7-pin Tuchel connector that powers the microphone and a 3-pin XLR connector.

The CMV 563 M 7 S is packed in a mahogany colour wooden box and comes with power supply N 61, connection cable C 563.1, elastic suspension EA 92 and G/B adaptor for the use of vintage bayonet M 7, M 8, M 9 capsules.



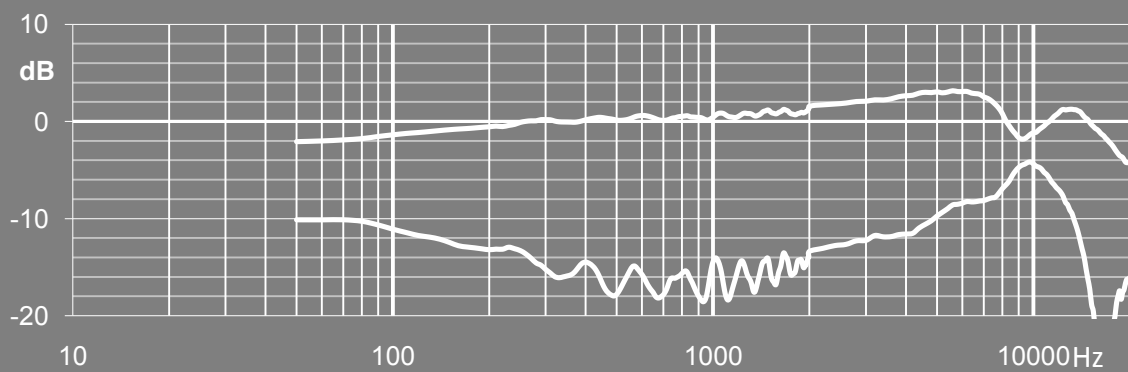
# The Vintage Line



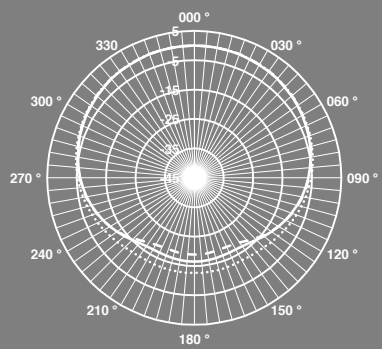
*Take the original*

## TECHNICAL DATA

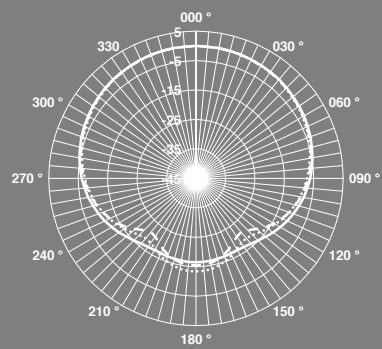
### Frequency response



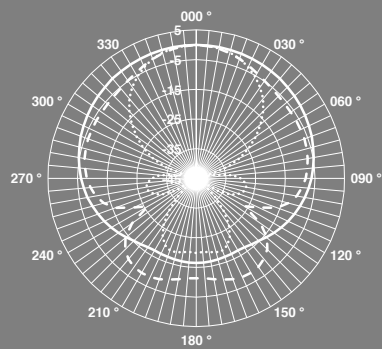
### Polar pattern



..... 250 Hz  
- - - - 500 Hz  
———— 1000 Hz



———— 1 kHz  
- - - - 2 kHz  
..... 4 kHz



———— 1 kHz  
- - - - 8 kHz  
..... 16 kHz

# The Vintage Line

*Take the original*



## TECHNICAL DATA

### Technical data

Polar pattern	cardioid
Acoustic operating principle	Pressure gradient transducer
Frequency range	20 ... 20000 Hz
Sensitivity at 1 kHz	17 mV/Pa
Rated impedance	200 $\Omega$
Equivalent loudness level CCIR 468-4	24 dB
Due to inherent noise	16 dB-A
Signal-to-noise ratio CCIR	70 dB
(re 1 Pa at 1 kHz) A-bew.	78 dB -A
Max SPL for THD $\leq$ 0.5 % ( $R_L = 1$ k $\Omega$ )	115 dB
Total dynamic range of the microphone preamplifier	99 dB
DC power supply	120 V-
Anode current	1 mA-
Heater voltage	5,8 V-
Heater current	200 mA-
Vacuum tube	EF 86
Output connector microphone	7-pin Tuchel
Output connector power supply	3-pin XLR connector
Weight	540 g
Dimensions ( L x $\phi$ )	216 mm x 42 mm

### Delivery

Tube condenser microphone CMV 563 / M 7 S

Power supply N61

Connection cable C 563.1

Elastic suspension EA 92

Bayonet adaptor G/B

In wooden briefcase L x W x H 470 x 390 x 160 mm

Hammered patina grey

Order-No. 2111141

# The Vintage Line



*Take the original*

DELIVERY



Microtech Gefell GmbH · Georg-Neumann-Platz · 07926 Gefell · Germany

Phone +49 (0)36649 882-0 · Fax +49 (0)36649 882-11 · [www.microtechgefell.de](http://www.microtechgefell.de) · [info@microtechgefell.de](mailto:info@microtechgefell.de)