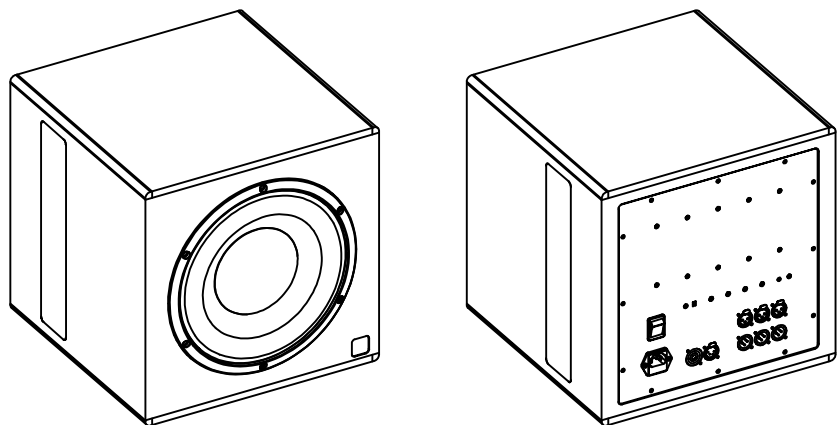


FRONT VIEW

SIDE VIEW

REAR VIEW



|               |  |             |                                    |
|---------------|--|-------------|------------------------------------|
| Zul. Abw. ... | Oberfl. ...  | Maßstab 1:5 |                                    |
| Material ...  |  |             |                                    |
|               | Datum  | Name        | Benennung                          |
| Bearb.        | 17.06.10   | Tränkner    | <b>BASIS 11K</b><br><b>Ansicht</b> |
| Geänd.        | ...  | ...         |                                    |
| Geänd.        | ...  | ...         |                                    |
| Geprüft       | ...  | ...         |                                    |
|               | musikelektronik geithain<br>Nikolaistraße 7<br>04643 Geithain<br>Tel. 034341 / 311-0 |             | Blatt<br>01                        |