



musikelectronic geithain

**BASIS 11K**

**BASIS 13K**

**BASIS 14K**



Active Bass Loudspeaker  
with cardioid radiation  
characteristic

STUDIO MONITORING SYSTEMS

HIGHEND LOUDSPEAKER

SOUND REINFORCEMENT SYSTEMS

The active bass loudspeakers BASIS 11K, BASIS 13K and BASIS 14K serve as complement for the lower octave of our active studio monitors and as central bass unit in stereo reproduction. Optionally, the BASIS models can also be integrated into surround loudspeaker systems with our multi-channel bass processor. Furthermore, the subwoofers can be operated with suitable AV receivers to also allow optimal cooperation with our passive high-end loudspeakers.

For our active bass loudspeakers, we have developed special long-stroke bass systems that ensure a low-distortion reproduction. All BASIS models have cardioid radiation characteristics for minimisation of rearward room reflections. The so-called K Technology, which we already have been using successfully since many years in our 3-way and 4-way active loudspeakers, features rearward-directed attenuation greater than 10 dB. Thus, excellent results can be achieved for room-dependent frequency response even in rooms with difficult acoustic conditions. This construction principle significantly simplifies the positioning of the bass loudspeakers in the listening room.

The power amplifiers are operated with a 1000-W PWM power module. An electronic limiter serves as protective device and keeps the bass drivers from overloading. An LED on the reverse side signals activation of the protective device and operating status of the bass loudspeaker. The distance between front loudspeaker and bass loudspeaker may be between 0 and 1 m. In this range a phase correction is possible. With an activatable high-pass filter, the threshold frequency can be raised to 40 Hz. The cut-off frequency can be adjusted continually between 60 and 80 Hz. The transmission range of the LFE channel ends at 120 Hz. The entire control and power electronics including all connecting and operating elements are integrated into the reverse side of the cabinet.

The bass loudspeakers are optionally available with a grid cover. An output on our subwoofers allows the operation of another BASIS 11KP, BASIS 13KP or BASIS 14KP passive bass loudspeaker. This expansion provides a power doubling and makes the choice of the location less critical. Also, the system can be switched into bypass mode with the aid of a cable remote control. All output channels are directly connected to the input channels - the bass channel is deactivated, the LFE channel remains activated.



**BASIS 11K**

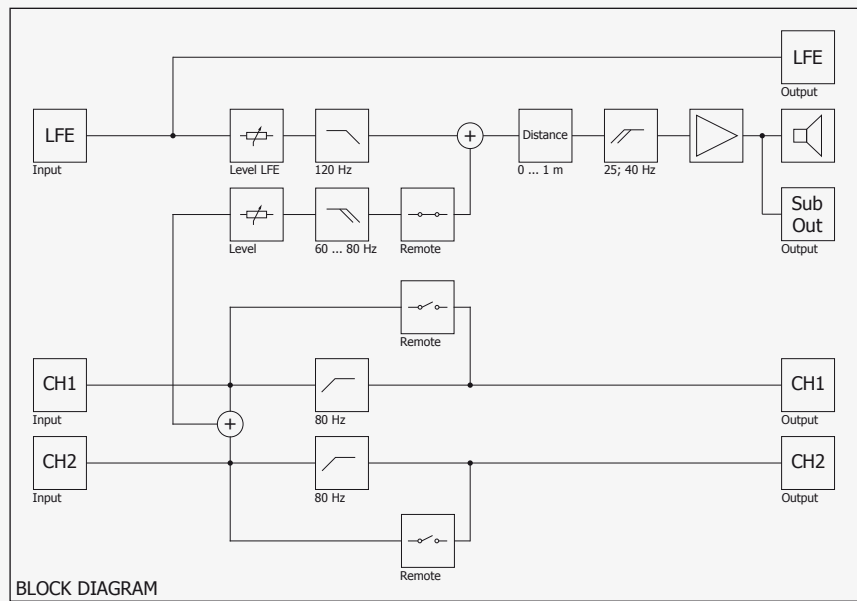
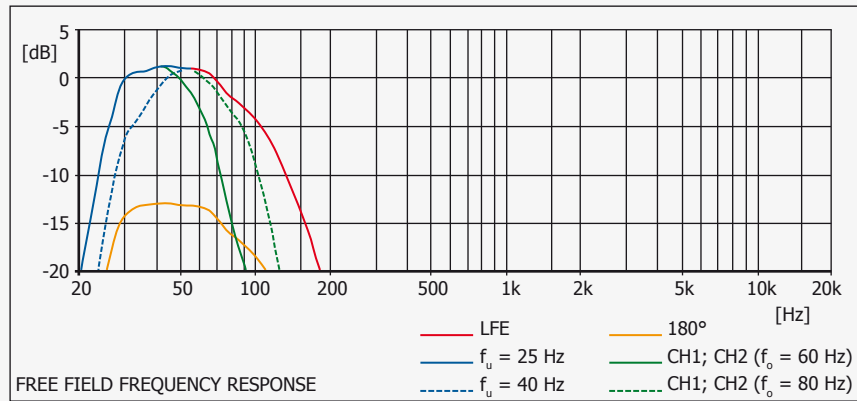
**BASIS 13K**

**BASIS 14K**

# TECHNICAL PROPERTIES

General	Bass addition for our active loudspeakers and as subwoofer for our passive high-end loudspeakers
Cabinet design	with cardioids characteristic
Maximum SPL measured at $f = 63$ Hz	
BASIS 11K	112 dB / $r = 1$ m (3.3 ft); 2 pi
BASIS 13K	118 dB / $r = 1$ m (3.3 ft); 2 pi
BASIS 14K	122 dB / $r = 1$ m (3.3 ft); 2 pi
Bandwidth	25 Hz ... (60 Hz ... 80 Hz, cont. adjustable) - 6 dB; 2 pi
with HPF	40 Hz ... (60 Hz ... 80 Hz, cont. adjustable) - 6 dB; 2 pi
LFE	25 Hz ... 120 Hz - 6 dB; 2 pi
Total harmonic distortion measured at PE = - 14 dBu and $f = 50$ Hz	89 dB / $r = 1$ m (3.3 ft)
Inherent noise sound level	GK0 / DIN 15996 $r = 1$ m
Nominal Input level	- 9 dBu ... + 6 dBu adjustable
Nominal Output level HP CH1, CH2	+ 6 dBu at 2 kOhm symmetrically
Input impedance	$\geq 10$ kOhm RC symmetrically
Bass output level	adjustable
Output power of the PWM-amplifier	max. 1000 W / 4 Ohm
Electronic Crossover frequencies	TP 24 dB / Okt. HP 12 dB / Okt.
Distance compensation	adjustable from 0 ... 1 m (3.3 ft) difference to the front speaker's plane
Power requirements	90 ... 132 V, 55 ... 65 Hz oder 190 ... 265 V, 45 ... 55 Hz
Power consumption	20 VA at stand-by, max. 500 VA at full load
Operation and Clipping indicator	LED on back side
Input Connector	3x XLR 3F
Output Connector	3x XLR 3M 1x Speakon NL4 (activation BASIS 11KP / BASIS 13KP / BASIS 14KP)
Connector for bypass-mode switch	XLR 4M
Loudspeaker system	
BASIS 11K	280 mm (11") cone
BASIS 13K	320 mm (12.5") cone
BASIS 14K	400 mm (15") cone
Dimensions (H x W x D)	
BASIS 11K	350 x 350 x 350 mm (13.8 x 13.8 x 13.8 in)
BASIS 13K	400 x 400 x 400 mm (15.7 x 15.7 x 15.7 in)
BASIS 14K	550 x 500 x 430 mm (21.6 x 19.7 x 16.9 in)
Weight	
BASIS 11K	15,8 kg (34.7 lbs)
BASIS 13K	23.3 kg (51.2 lbs)
BASIS 14K	37.8 kg (83.2 lbs)
Temperature requirements	
for use	+ 15°C ... + 35°C (59°F ... 95°F)
for storage	- 25°C ... + 45°C (- 13°F ... 113°F)
Humidity	45 ... 75 %
Design of the Cabinet	MDF wood, black veneer, different colors optional





**musikelectronic geithain gmbh**  
 STUDIO MONITORING - HIGHEND LOUDSPEAKER - SOUND REINFORCEMENT SYSTEMS

Nikolaistraße 7  
 04643 Geithain / Germany

Tel: +49 (0) 34341 3110  
 Fax: +49 (0) 34341 31144

E-Mail: info@me-geithain.de

**www.me-geithain.de**